

## ABNORMAL FUNCTION:

If abnormal function occurs, unplug and send this appliance to the Distributor (or any qualified electrician) for repair and/or electrical & mechanical adjustments.


# SAVE THESE INSTRUCTIONS!

# COLORATO

[www.colorato.net](http://www.colorato.net)

CE  ROHS



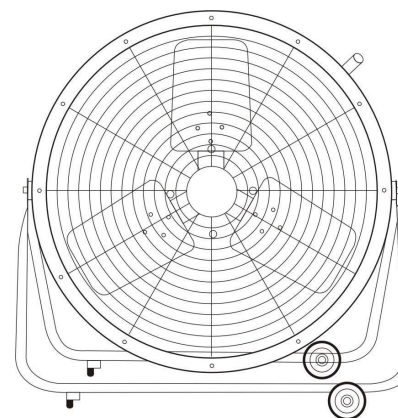
The symbol  on the product means that at the end of its life, the appliance has not to be considered a common waste. It is a special waste and has to be demolished in specific recovery and disposal area, as prescribed by the EC Directive 2002/96/EC (WEEE). By disposing this product correctly, you can avoid negative consequences for the environment and for the human health, due to the presence of potentially dangerous substances in the product.

**Attention**

# COLORATO

[www.colorato.net](http://www.colorato.net)

## INSTRUCTION MANUAL POWERFUL DRUM FAN



**MODELS: CLF-24DM  
CLF-30DM**

## PLEASE READ THESE INSTRUCTIONS BEFORE USE!



## INTENDED USE:

The Powerful Drum Fan is intended for use in factories, warehouses, car-shops, café, bar etc.

## IMPORTANT INSTRUCTIONS:

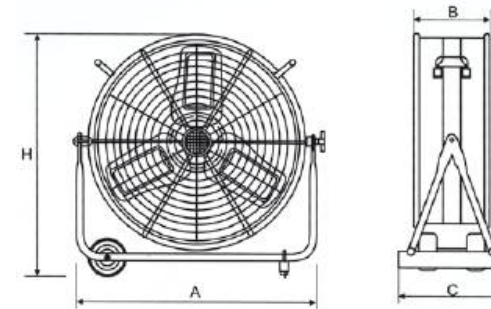
- 1 When using electrical appliances, basic safety precautions should always be followed to reduce the risk of fire, electric shock and injury to persons.
- 2 Use this fan only as described in this manual. Any other use not recommended by the manufacturer may cause fire, electric shock, or injury to persons.
- 3 Do not place fan on an uneven or surface smaller than the fan which might allow fan to tip or fall causing damage to people or property.
- 4 Do not share same power outlet with other electrical appliances to avoid electricity overload.
- 5 Always unplug fan when not in use, when moving from place to place, and when cleaning.
- 6 Do not operate fan while unattended. Do not sit or stand on fan. Do not place objects on fan.
- 7 This fan is not intended for use by young children or infirm persons without supervision. Young children should be supervised to ensure that they do not play with the fan.
- 8 Do not insert or allow foreign objects into the fan or near the fan while fan is operating.
- 9 The fan should be used in indoor areas as well as outdoor areas with roof.
- 9 When adjusting the direction of fan, turn off fan before doing so.
- 10 Do not use fan in areas where gasoline, paint or flammable materials are used or stored.
- 11 If the supply cord is damaged, it must be replaced by the manufacturer, its service agent or a similarly qualified person in order to avoid a hazard.

## CARE AND CLEANING:

- 1 This fan should be cleaned at least twice a year.
- 2 Disconnect the supply cord before cleaning the fan.
- 3 Use a piece of cloth &/or soft brush to clean away the dirt and dust that have accumulated. Thereafter, clean the guards & blades with lubricating oil with a piece of cloth or soft brush. Avoid harsh chemical cleaners.
- 4 Completely dry the fan and parts before use.

## HOW TO USE:

- 1 Plug this appliance directly into AC 220V power outlet. Be sure plug fits tightly in outlet. A loose fit will cause overheating and damage to fan and plug.
- 2 Set speed selector switch to desired position.
- 3 To disconnect fan, turn switch off, then remove plug from power outlet.



MODEL	DIAMETER OF THE BLADE mm	VOLT/ FREQ. V/Hz	MOTOR W	SPEED R.P.M.	AIR VOLUME m <sup>3</sup> /min	GROSS WEIGH T kg	NOISE LEVEL Db(A)	COVER AREA m <sup>2</sup>
CLF-24DM	610	220/50	200	950	150	19	70	30-35
CLF-30DM	760	220/50	280	900	190	22	70	40-45

DIMENSIONS			
MONTEAO	A	D	Y
CLF-24DM	730mm	290mm	770mm
CLF-30DM	880mm	290mm	900mm